



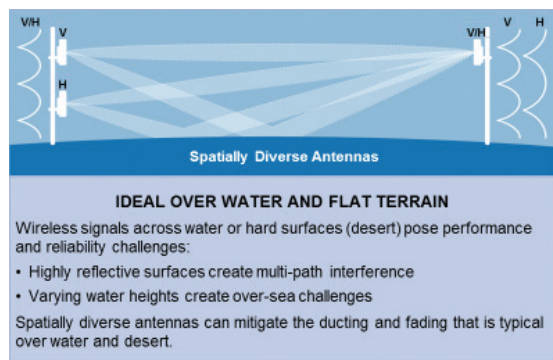
5.25 - 5.85 GHz Standard Performance Single Polarity Parabolic Reflector Antenna

The Standard Performance Single Pole Parabolic Reflector Antenna is engineered to be rugged, cost effective and deliver reliable radio links. Designed for sub-6 GHz unlicensed band applications, field-proven preassembled SP antennas and robust pole mounts ensure “set and forget” installation with minimal post-installation maintenance.

Single polarity antennas are typically used for spatial diversity applications. Spatial diversity improves fade margin and link reliability of long stretches of water or other flat surfaces. LINKPlanner™ provides planning assistance to determine the optimal vertical separation.

FEATURES AND BENEFITS:

- Excellent performance for a wide range of unlicensed applications
- Fully Preassembled at the Factory - Simplifies installation on site and guarantees “factory tested” quality
- Industry leading 7-year warranty
- Suitable for deployment with PTP 650, PTP 670, PTP 700 and PTP 450i connectorized radios.
- Fully supported in LINKPlanner™ providing accurate predictions of PTP link performance and availability. LINKPlanner™ is available at no charge from the support website at cambiumnetworks.com.
- Optional radome available for reduced wind-loading.



SPECIFICATIONS

GENERAL

Model Number	RDH4513B
Description	5.25-5.85 GHZ, 3-FT (0.9M), SINGLE-POL
Antenna Type	Standard Performance Parabolic Reflector Antenna
Size, nominal	3 ft 0.9 m
Polarization	Single
Standard RF Connector Type	N-Female

SPECIFICATIONS

ELECTRICAL

Operating Frequency Band	5.25 - 5.85 GHz
Half Power Beamwidth, Horizontal	4.2 degrees
Half Power Beamwidth, Vertical	4.2 degrees
Cross-Polarization Discrimination	30 dB
Front to Back Ratio (F/B)	40 dB
Gain, Low Frequency	32 dBi
Gain, Mid Frequency	32.5 dBi
Gain, High Frequency	33 dBi
VSWR	1.5:1
Return Loss	-14 dB

MECHANICAL

Fine Azimuth Adjustment	+/- 10 degrees	
Fine Elevation Adjustment	+/- 25 degrees	
Mounting Pipe Diameter, Min	4.5 inch 11.4 cm	
Mounting Pipe Diameter, Max	4.5 inch 11.4 cm	
Net Weight	35 lbs 15.8 kg	43 lbs 19.4 Kg with optional radome
Wind Velocity Operational	90 mph 145 km/h	
Wind Velocity Survival Rating	125 mph 201 km/h	
Mechanical Configuration	SP3	
Axial Force (FA)	492 lbs 2189 N	271 lbs 1206 Nm with optional radome
Side Force (FS)	40 lbs 178 N	64 lbs 285 Nm with optional radome
Twisting Moment (MT)	545 ft-lbs 739 Nm	394 lbs 534 Nm with optional radome
Operating Temperature Range	-40 to +60 C	
Max Pressure, PSIG, (if waveguide interface)	5	

OPTIONAL RADOME

Model Number	RRDN7141B
Description	3-FT (0.9M), MOLDED RADOME, UV INHIBITED

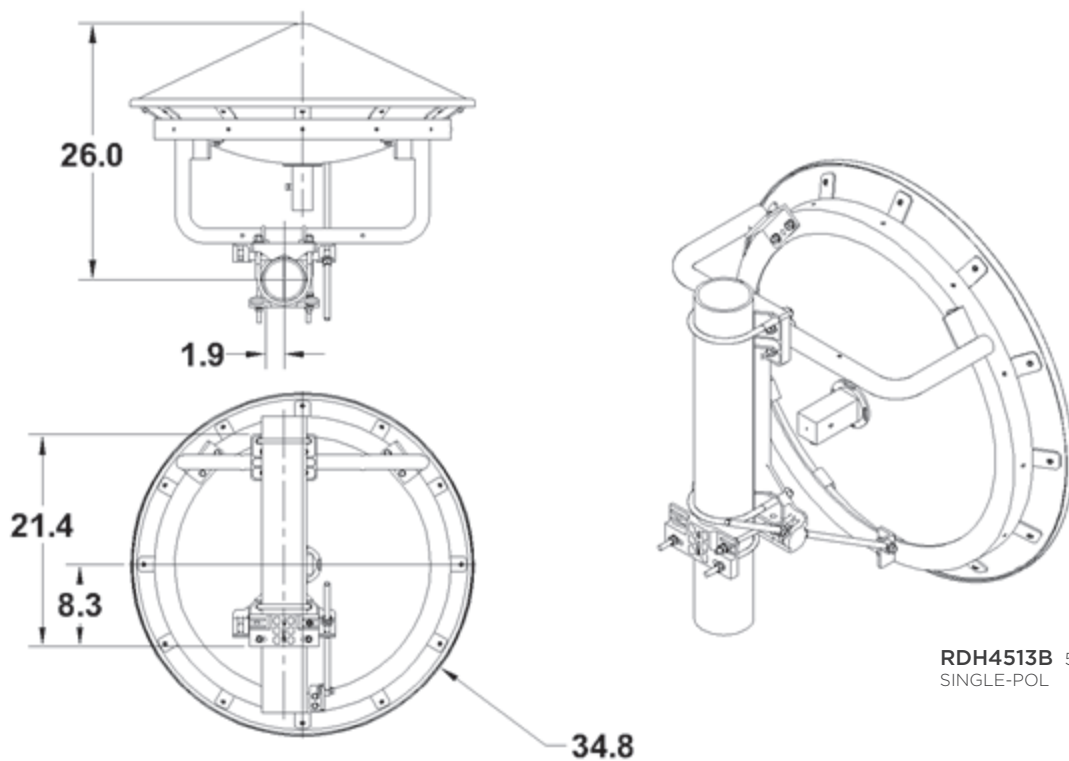
REGULATORY COMPLIANCE

RoHS-compliant	Yes
----------------	-----

SHIPPING INFORMATION

Package Type	Wood Crate
Gross Weight	78 lbs 35.3 kg
Dimensions, L x W x H	40 x 17 x 44 in 101 x 43 x 140 cm
Shipping Volume	17.31 cu ft 0.49 cu m

TECHNICAL DRAWINGS



RDH4513B 5.25-5.85 GHZ, 3-FT (0.9M), SINGLE-POL