



5.25 - 5.85 GHz Standard Performance Dual Pole Parabolic Reflector Antenna

Standard Performance Dual Pole Parabolic Reflector Antennas from Cambium Networks are well suited for deployment with any of the sub-6 GHz PTP products. They are engineered to provide ETSI class 2/3 radiation pattern performance as well as excellent gain. Field-proven preassembled antennas and robust pole mounts ensure “set and forget” installation with minimal post installation maintenance.



FEATURES AND BENEFITS:

- Excellent performance for a wide range of licensed and unlicensed applications
- Fully Preassembled at the Factory - Simplifies installation on site and guarantees “factory tested” quality
- Industry leading 7-year warranty
- Suitable for deployment with PTP 650, PTP 670, PTP 700 and PTP 450i connectorized radios.
- Fully supported in LINKPlanner™ providing accurate predictions of PTP link performance and availability. LINKPlanner™ is available at no charge from the support website at cambiumnetworks.com.
- Optional radomes available for reduced wind-loading.



SPECIFICATIONS

GENERAL

Antenna Type	Standard Performance Parabolic Reflector Antenna
Size, nominal	2 ft (0.6 m); 3 ft (0.9 m); 4 ft (1.2 m); 6 ft (1.8 m); 8 ft (2.4 m)
Polarization	Dual
Standard RF Connector Type	N-Female

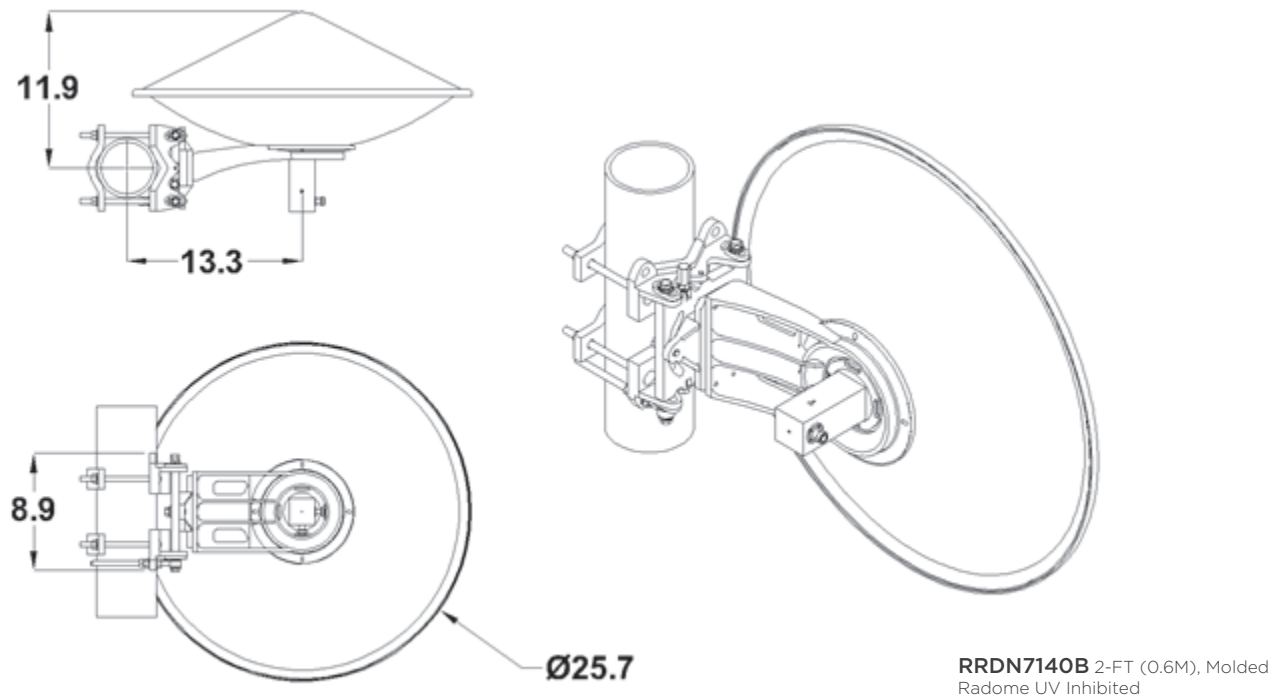
SPECIFICATIONS

ELECTRICAL	2 FT (0.6 M)	3 FT (0.9 M)	4 FT (1.2 M)	6 FT (1.8 M)	8 FT (2.4 M)
Model Number	RRDN7140B	RRDN7141B	RRDN7142B	RRDN7146B	RRDN7148B
Description	2-FT (0.6M), Molded Radome UV Inhibited	3-FT (0.9M), Molded Radome, UV Inhibited	4-FT (1.2M), Molded Radome, UV Inhibited	6-ft (1.8m), Molded Radome, UV Inhibited	8-ft (2.4m), Molded Radome, UV Inhibited
Operating Frequency Band	5.25 - 5.85 GHz	5.25 - 5.85 GHz	5.25 - 5.85 GHz	5.25 - 5.85 GHz	5.25 - 5.85 GHz
Half Power Beamwidth, Horizontal	6.2 degrees	4.2 degrees	3.1 degrees	2.1 degrees	1.6 degrees
Half Power Beamwidth, Vertical	6.2 degrees	4.2 degrees	3.1 degrees	2.1 degrees	1.6 degrees
Cross-PolarizationDiscrimination	30 dB	30 dB	30 dB	30 dB	30 dB
Front to Back Ratio (F/B)	38 dB	40 dB	44 dB	46 dB	52 dB
Gain, Low Frequency	28.5 dBi	32 dBi	34.4 dBi	37.4 dBi	40.4 dBi
Gain, Mid Frequency	29 dBi	32.5 dBi	34.9 dBi	37.9 dBi	40.9 dBi
Gain, High Frequency	29.5 dBi	33 dBi	35.4 dBi	38.4 dBi	41.4 dBi
VSWR	1.5:1	1.5:1	1.5:1	1.5:1	1.5:1
Return Loss	-14 dB	-14 dB	-14 dB	-14 dB	-14 dB
MECHANICAL	2 FT (0.6 M)	3 FT (0.9 M)	4 FT (1.2 M)	6 FT (1.8 M)	8 FT (2.4 M)
Fine Azimuth Adjustment	+/- 10 degrees	+/- 10 degrees	+/- 10 degrees	+/- 10 degrees	+/- 5 degrees
Fine Elevation Adjustment	+/- 30 degrees	+/- 25 degrees	+/- 25 degrees	+/- 25 degrees	+/- 5 degrees
Mounting Pipe Diameter, Min	2 inch 5.08 cm	4.5 inch 11.4 cm	4.5 inch 11.4 cm	4.5 inch 11.4 cm	4.5 inch 11.4 cm
Mounting Pipe Diameter, Max	4.5 inch 11.4 cm	4.5 inch 11.4 cm	4.5 inch 11.4 cm	4.5 inch 11.4 cm	4.5 inch 11.4 cm
Net Weight	22 lbs 9.9 kg (26 lbs 11.7 Kg with RD radome)	35 lbs 15.8 kg (43 lbs 19.4 Kg with RD radome)	60 lbs 27 kg (80 lbs 36 Kg with RD Radome)	95 lbs 42.8 kg (125 lbs 56.3 Kg with RD radome)	165 lbs 74.3 kg (250 lbs 113.4 Kg with RD radome)
Wind Velocity Operational	90 mph 145 km/h	90 mph 145 km/h	90 mph 145 km/h	90 mph 145 km/h	90 mph 145 km/h
Wind Velocity Survival Rating	125 mph 201 km/h	125 mph 201 km/h	125 mph 201 km/h	125 mph 201 km/h	125 mph 201 km/h
Axial Force (FA)	222 lbs 988 N (122 lbs 543 Nm with RD radome)	492 lbs 2189 N (271 lbs 1206 Nm with RD radome)	855 lbs 3803 N (469 lbs 2087 Nm with RD radome)	1768 lbs 7865 N (973 lbs 4329 Nm with RD radome)	3795 lbs 16940 N (2773 lbs 12334 Nm with RD radome)
Side Force (FS)	14 lbs 62 N (24 lbs 107 Nm with RD radome)	40 lbs 178 N (64 lbs 285 Nm with RD radome)	45 lbs 200 N (93 lbs 414 Nm with RD radome)	98 lbs 436 N (162 lbs 721 Nm with RD radome)	1115 lbs 4980 N (1422 lbs 6325 Nm with RD radome)
Twisting Moment (MT)	225 ft-lbs 305 Nm (194 lbs 263 Nm with RD radome)	545 ft-lbs 739 Nm (394 lbs 534 Nm with RD radome)	1120 ft-lbs 1518 Nm (784 lbs 1063 Nm with RD radome)	2270 ft-lbs 3077 Nm (2100 lbs 2847 Nm with RD radome)	4800 ft-lbs 6508 Nm (4400 lbs 5966 Nm with RD radome)
Operating Temperature Range	-40 to +60 C	-40 to +60 C	-40 to +60 C	-40 to +60 C	-40 to +60 C
Max Pressure, PSIG, (if waveguide interface)	5	5	5	5	5
REGULATORY COMPLIANCE	Yes	Yes	Yes	Yes	Yes
RoHS-compliant	Yes	Yes	Yes	Yes	Yes
SHIPPING INFORMATION	2 FT (0.6 M)	3 FT (0.9 M)	4 FT (1.2 M)	6 FT (1.8 M)	8 FT (2.4 M)
Package Type	Cardboard	Wood Crate	Wood Crate	Wood Crate	Wood Crate
Gross Weight	25 lbs 11.3 kg	78 lbs 35.3 kg	126 lbs 57.15 kg	222 lbs 100.7 kg	878 lbs 398.2 kg
Dimensions, L x W x H	28 x 8 x 28in 71 x 20 x 71 cm	40 x 17 x 44in 101 x 43 x 140 cm	59 x 19 x 60in 150 x 48 x 152 cm	77 x 20 x 80in 195 x 501 x 203cm	102 x 60 x 91in 259 x 152 x 231cm
Shipping Volume	3.63 cu ft 0.1 cu m	17.31 cu ft 0.49 cu m	38.92 cu ft 1.1 cu m	71.3 cu ft 2.02 cu m	322.29 cu ft 9.13 cu m

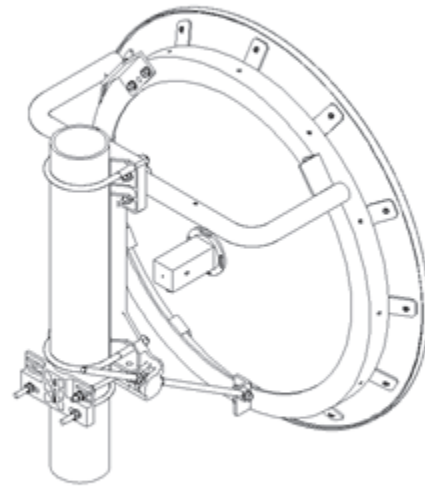
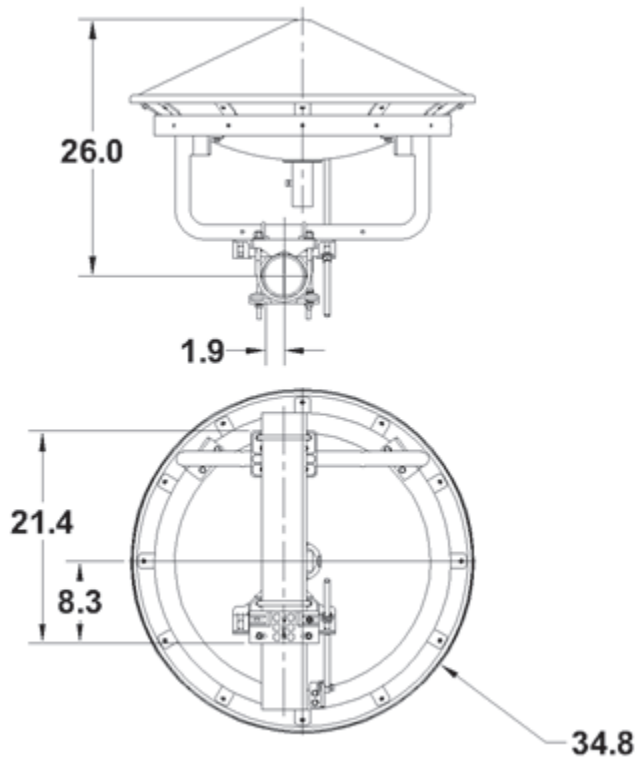
SPECIFICATIONS

OPTIONAL RADOMES	2 FT (0.6 M)	3 FT (0.9 M)	4 FT (1.2 M)	6 FT (1.8 M)	8 FT (2.4 M)
Model Number	RRDN7140B	RRDN7141B	RRDN7142B	RRDN7146B	RRDN7148B
Description	2-FT (0.6M), Molded Radome UV Inhibited	3-FT (0.9M), Molded Radome, UV Inhibited	4-FT (1.2M), Molded Radome, UV Inhibited	6-ft (1.8m), Molded Radome, UV Inhibited	8-ft (2.4m), Molded Radome, UV Inhibited
Attenuation, 2 GHz	0.2 dB	0.2 dB	0.2 dB	0.2 dB	0.2 dB
Attenuation, 5 GHz	0.4 dB	0.4 dB	0.4 dB	0.4 dB	0.4 dB
Attenuation, 7 GHz	0.5 dB	0.5 dB	0.5 dB </td <td>0.5 dB</td> <td>0.5 dB</td>	0.5 dB	0.5 dB
Attenuation, 10 GHz	0.6 dB	0.6 dB	0.6 dB	0.6 dB	0.6 dB
Attenuation, 13 GHz	0.7 dB	0.7 dB	0.7 dB	0.7 dB	0.7 dB
Add to Antenna VSWR, Max, 2 GHz	0.02	0.02	0.02	0.02	0.02
Add to Antenna VSWR, Max, 5 GHz	0.02	0.02	0.02	0.02	0.02
Add to Antenna VSWR, Max, 7 GHz	0.02	0.02	0.02	0.02	0.02
Add to Antenna VSWR, Max, 10 GHz	0.03	0.03	0.03	0.03	0.03
Add to Antenna VSWR, Max, 13 GHz	0.04	0.04	0.04	0.04	0.04
Net Weight	7 lbs 3.2 kg	9 lbs 4 kg	45 lbs 29.4 kg	95 lbs 42.8 kg	85 lbs 38.5 kg
Operating Temp. Range	-40 to +60 C	-40 to +60 C	-40 to +60 C	-40 to +60 C	-40 to +60 C
RoHS-compliant	Yes	Yes	Yes	Yes	Yes
Shipping Package Type	Cardboard	Cardboard	Wood Crate	Wood Crate	Wood Crate
Gross Shipping Weight	8 lbs 3.6 kg	9 lbs 4 kg	51 lbs 25.1 kg	142 lbs 64.4 kg	432 lbs 195.9 kg
Shipping Dimensions L x W x H	28 x 8 x 28in 71 x 20 x 71 cm	37 x 37 x 13in 94 x 94 x 33 cm	52 x 18 x 53in 132 x 45 x 135 cm	77 x 20 x 80in 195 x 51 x 203 cm	102 x 60 x 91in 259 x 152 x 231 cm
Shipping Volume	3.6 cu ft 0.1 cu m	10.3 cu ft 0.29 cu m	28.7 cu ft 0.8 cu m	71.3 cu ft 2.02 cu m	322.3 cu ft 9.09 cu m

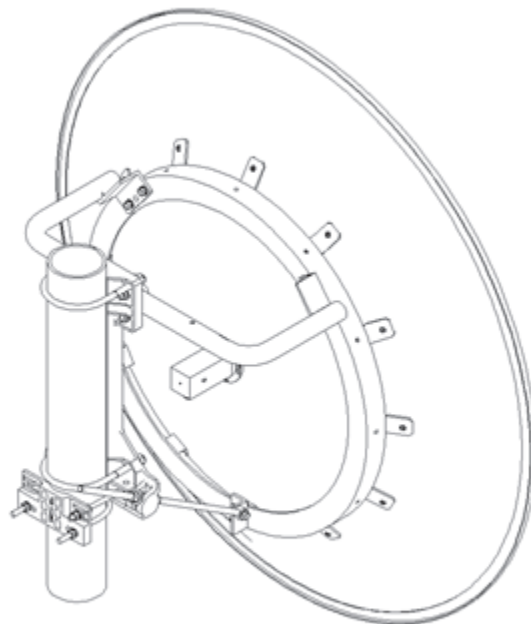
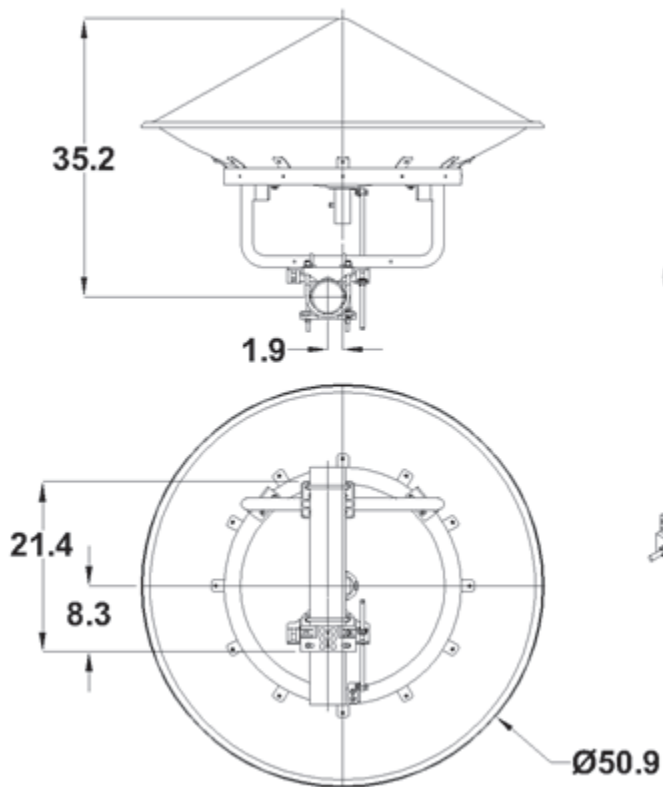
TECHNICAL DRAWINGS



TECHNICAL DRAWINGS

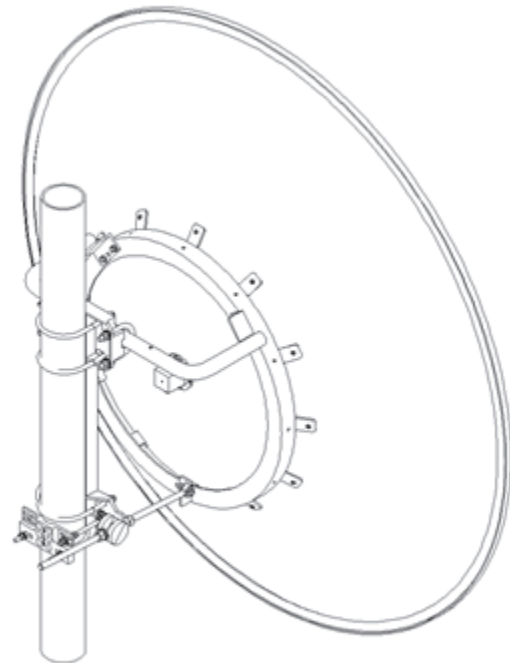
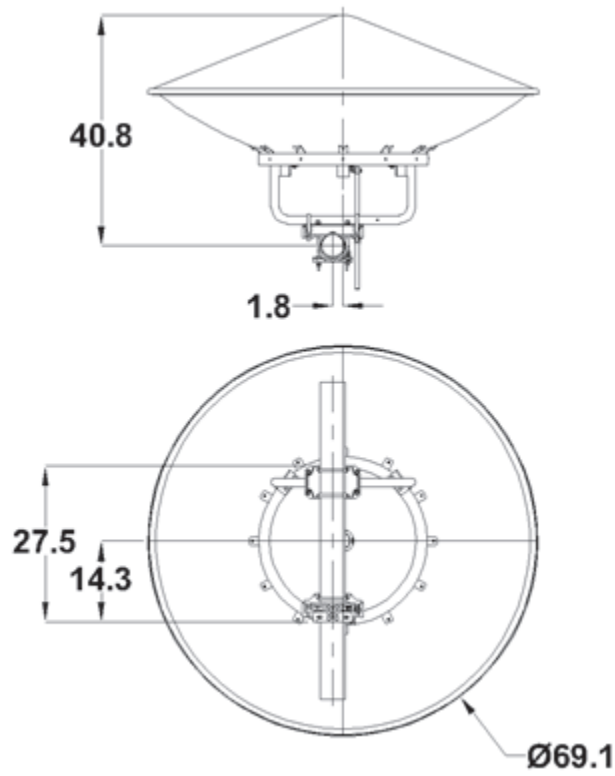


RRDN7141B 3-FT (0.9M), Molded Radome, UV Inhibited

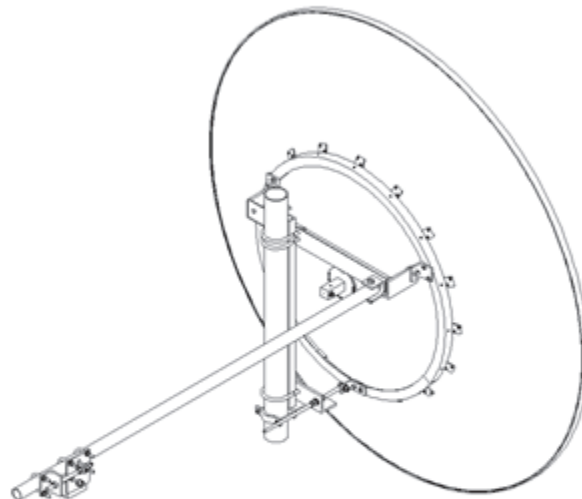
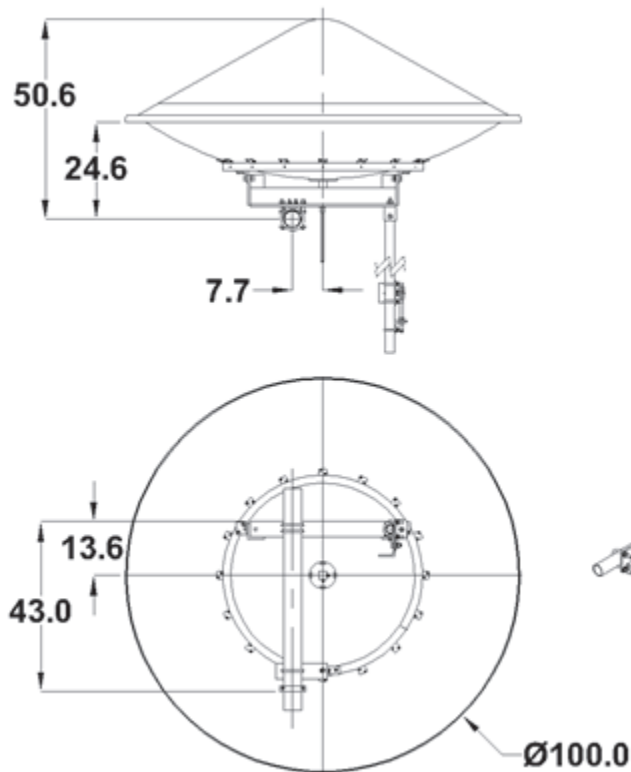


RRDN7142B 4-FT (1.2M), Molded Radome, UV Inhibited

TECHNICAL DRAWINGS



RRDN7146B 6-ft (1.8m), Molded Radome, UV Inhibited



RRDN7148B 8-ft (2.4m), Molded Radome, UV Inhibited